

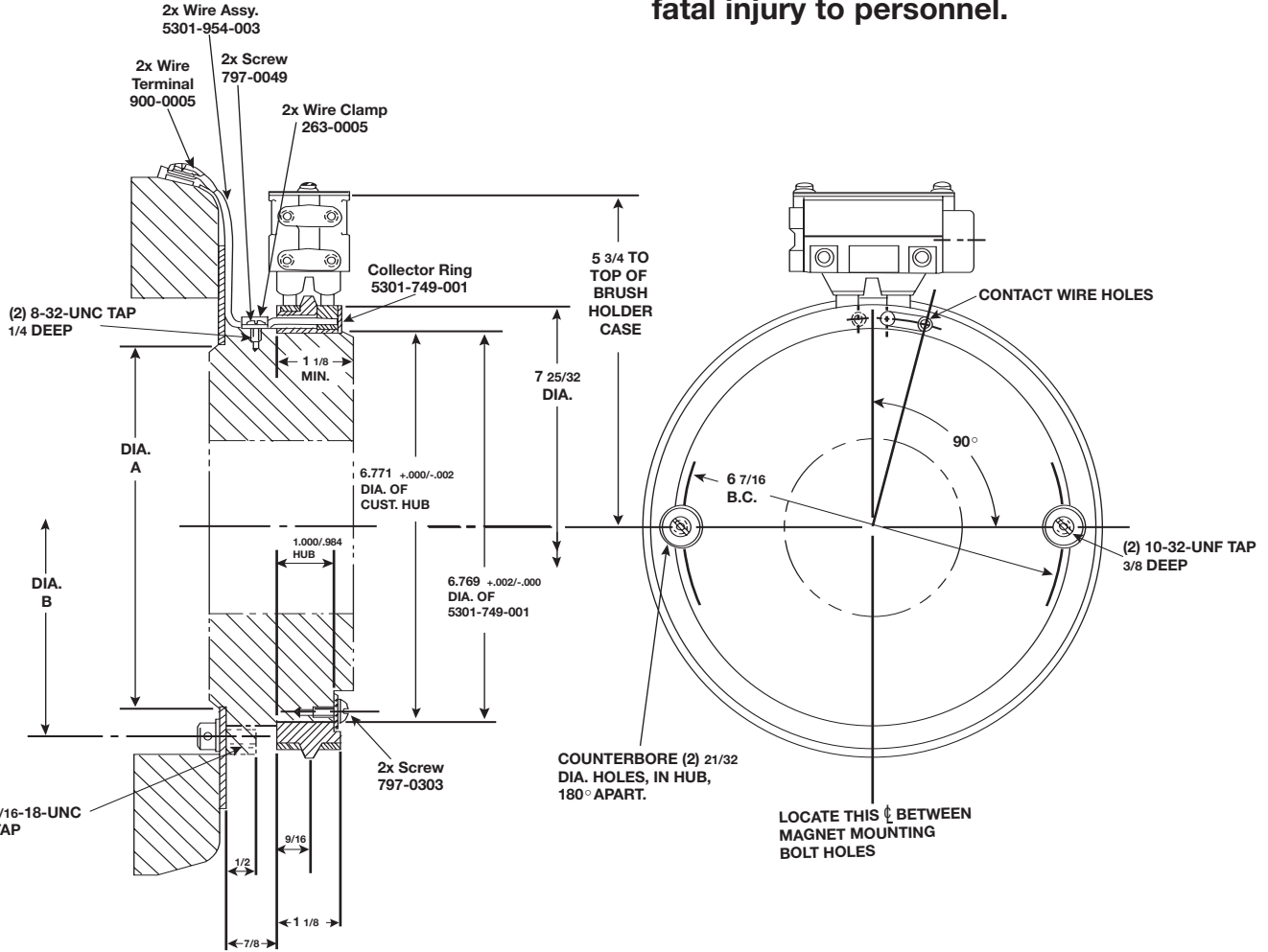
# Collector Ring Mounting Instructions for Ring and Mounting Accessory 5301-101-010

## Installation Instructions

P-1370  
819-0033

Accessory 5301-101-010 includes all part numbers shown.

**⚠ WARNING** Failure to follow these instructions may result in product damage, equipment damage, and serious or fatal injury to personnel.



Clutch Size	Pilot Dia. On Magnet "A"	Mounting Holes	
		Bolt Circle "B"	No. Holes EQ Space
825	3.503	4 1/4	6
	3.501		
1000	5.378	6 1/8	6
	5.376		
1225	6.379	7 1/4	6
	6.376		
1525	9.002	9 3/4	12
	9.000		

Customer shall machine hub to Dia. called for and axially to dim. shown above to create a shoulder against which the collector ring shall seat - counterbore and TAP# 10-32 two places 180° apart on 6-7/16 B.C. and 90° from centerline between contact wire holes. Assemble collector ring to hub and secure with screws 797-0303.

Insert terminal end of lead wires into collector ring and mount magnet and collector ring to hub. Slip rubber caps over wires, cut wires to proper length (so that when assembled they will be taut) and strip insulation back 3/16". Secure a 900-0005 terminal to the end of each wire, then assemble terminal to magnet with screw and washer. Slip rubber caps over wire terminal and secure lead wires to hub by means of clamp 263-0005.

## Warranty

Warner Electric LLC warrants that it will repair or replace (whichever it deems advisable) any product manufactured and sold by it which proves to be defective in material or workmanship within a period of one (1) year from the date of original purchase for consumer, commercial or industrial use.

This warranty extends only to the original purchaser and is not transferable or assignable without Warner Electric LLC's prior consent.

Warranty service can be obtained in the U.S.A. by returning any defective product, transportation charges prepaid, to the appropriate Warner Electric LLC factory. Additional warranty information may be obtained by writing the Customer Satisfaction Department, Warner Electric LLC, 449 Gardner Street, South Beloit, Illinois 61080, or by calling 815-389-3771.

A purchase receipt or other proof of original purchase will be required before warranty service is rendered. If found defective under the terms of this warranty, repair or replacement will be made, without charge, together with a refund for transportation costs. If found not to be defective, you will be notified and, with your consent, the item will be repaired or replaced and returned to you at your expense.

This warranty covers normal use and does not cover damage or defect which results from alteration, accident, neglect, or improper installation, operation, or maintenance.

Some states do not allow limitation on how long an implied warranty lasts, so the above limitation may not apply to you.

Warner Electric LLC's obligation under this warranty is limited to the repair or replacement of the defective product and in no event shall Warner Electric LLC be liable for consequential, indirect, or incidental damages of any kind incurred by reason of the manufacture, sale or use of any defective product. Warner Electric LLC neither assumes nor authorizes any other person to give any other warranty or to assume any other obligation or liability on its behalf.

WITH RESPECT TO CONSUMER USE OF THE PRODUCT, ANY IMPLIED WARRANTIES WHICH THE CONSUMER MAY HAVE ARE LIMITED IN DURATION TO ONE YEAR FROM THE DATE OF ORIGINAL CONSUMER PURCHASE. WITH RESPECT TO COMMERCIAL AND INDUSTRIAL USES OF THE PRODUCT, THE FOREGOING WARRANTY IS IN LIEU OF AND EXCLUDES ALL OTHER WARRANTIES, WHETHER EXPRESSED OR IMPLIED BY OPERATION OF LAW OR OTHERWISE, INCLUDING, BUT NOT LIMITED TO, ANY IMPLIED WARRANTIES OF MERCHANTABILITY OR FITNESS.

Some states do not allow the exclusion or limitation of incidental or consequential damages, so the above limitation or exclusion may not apply to you. This warranty gives you specific legal rights and you may also have other rights which vary from state to state.

### Changes in Dimensions and Specifications

All dimensions and specifications shown in Warner Electric catalogs are subject to change without notice. Weights do not include weight of boxing for shipment. Certified prints will be furnished without charge on request to Warner Electric.



**Warner Electric LLC**  
449 Gardner Street • South Beloit, IL 61080  
815-389-3771 • Fax: 815-389-2582  
www.warnerelectric.com